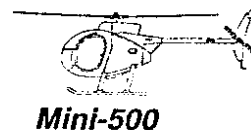




REVOLUTION

HELICOPTER CORP., INC.



1905 W. Jesse James Rd. * Excelsior Springs, Missouri 64024
Phone (816) 637-2800 * Fax (816) 637-7936

August 19, 1997

Revolution Helicopter Airworthiness Directive (AD) #081997

Affected Aircraft: All Mini-500 helicopters shipped on or before June 16, 1997, except for aircraft serial #0346, #0351, #0357 and #0430.

AD Type: Urgent (Must be complied with before further operation of the aircraft).

Subject: Cyclic Upgrade

In some isolated cases, we have had reports of the cyclic #BA13 developing a small amount of play inside the socket of part #0151 after use. Although this play does not represent a short-term problem, it can be responsible for cyclic stick shake and some rotor system vibration.

All aircraft shipped after June 16, 1997, or aircraft with serial #0346, #0351, #0357 and #0430, have had part #0738 included with the kit, eliminating the cyclic stick shake.

We are including part #0738 which is provided at no charge to customers who their aircraft was shipped on or before June 16, 1997.

Corrective Action:

1. Remove the cyclic #BA13 by unbolting it from part #0151.
2. Insert the new part #0738 into the bottom of the cyclic #BA13. Use a high-quality adhesive to permanently install part #0738 into the cyclic #BA13.
3. Reinstall the cyclic #BA13 into part #0151 and bolt in place. Continue operation.

For further reference, refer to exploded drawing on reverse side of this letter, and in your Mini-500 assembly manual in section 5.

Please date and sign this AD and fax or mail it back to Revolution Helicopter Corp.

If you have any questions, contact:

Revolution Helicopter Corp. Inc.
1905 West Jesse James Rd.
Excelsior Springs, Missouri 64024
Tel: (816) 637-2800
Fax: (816) 637-7936

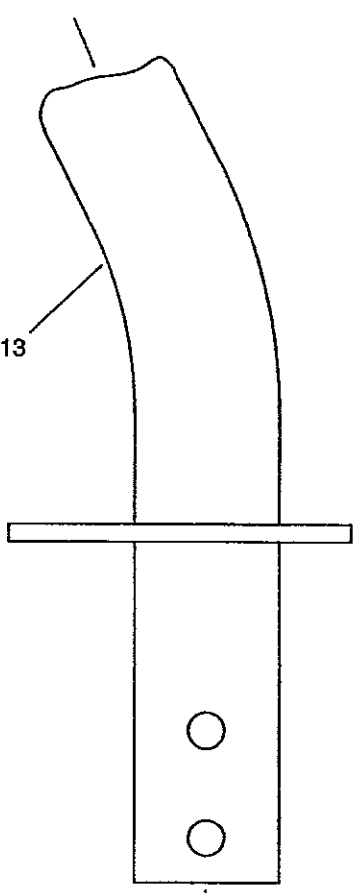
Print name: _____

Serial # _____

Signature: _____

Date: _____

#BA13



#0738

Epoxy

