



# REVOLUTION

HELICOPTER CORP., INC.



1905 W. Jesse James Rd. • Excelsior Springs, Missouri 64024  
Phone (816) 637-2800 • Fax (816) 637-7936

January 29, 1996

Service information letter #012996

Subject: Control system bolts and bushings.

We are now supplying improved hardware for certain places in the control system. We are supplying the new hardware to everyone who received a kit before the change was made.

Please follow the supplied instructions for installing the new hardware, and discard the old hardware. If you already have the new style bolts as pictured in fig. 1 & 2 of the instructions, disregard that portion.

If you have any questions please contact Brian Thomas at (816) 637-2800.

Bob Dart  
648 Acers Ct.  
York, SC 29745  
USA

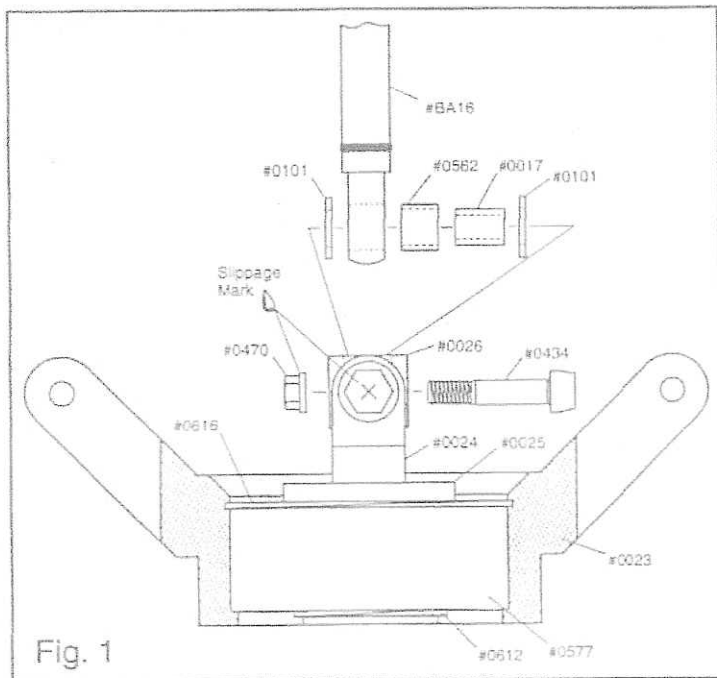


Fig. 1

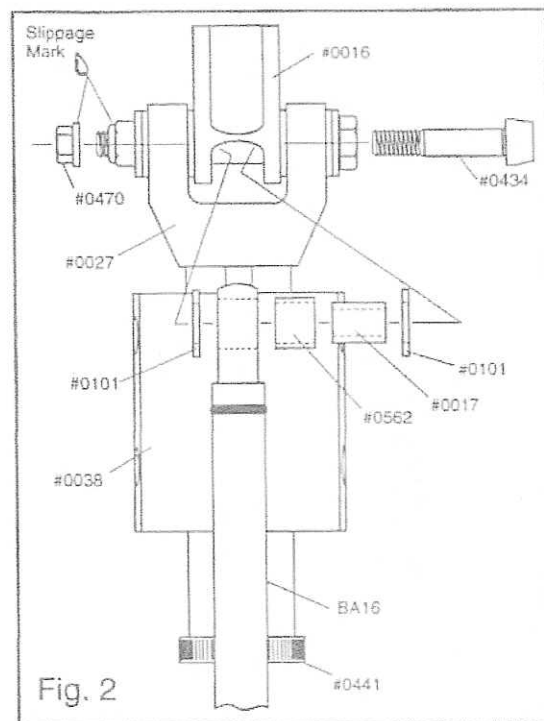


Fig. 2

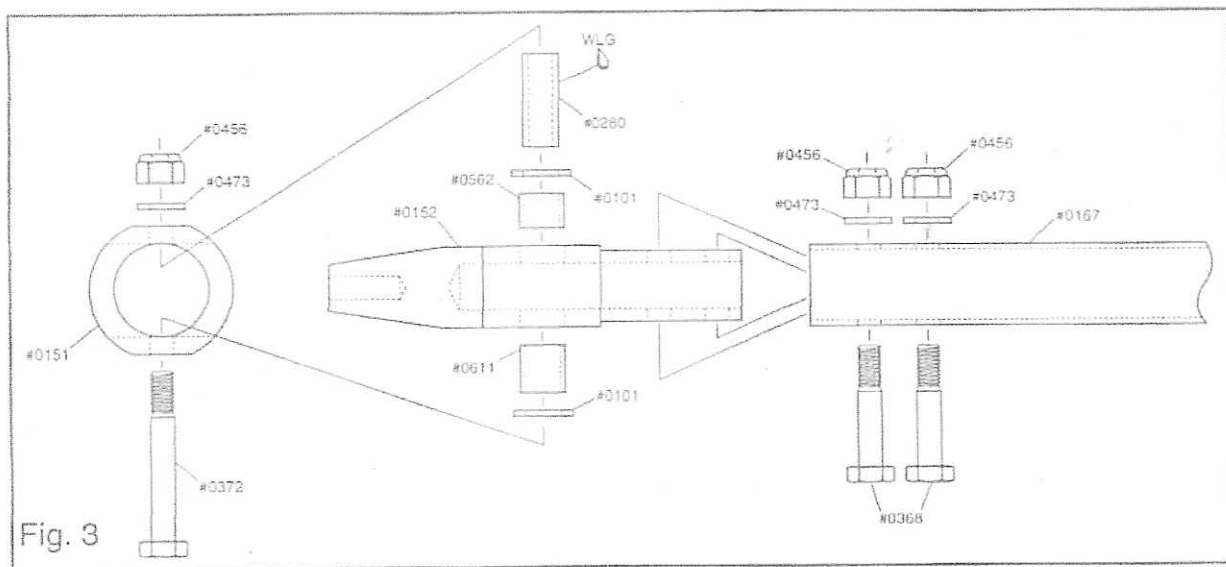


Fig. 3

1. Replace (4) bolts #0434 with the new bolts supplied as shown in fig. 1 & 2. If the heads of the bolts do not seat flat, use a 3/8 inch drill bit and carefully chamfer the bolt holes in part #0026 and #0016.
2. Remove the (2) bushings #0566 shown in section 5 fig. 29 of your assembly manual and replace with bushings #0562 and #0611 as shown above in fig. 3.